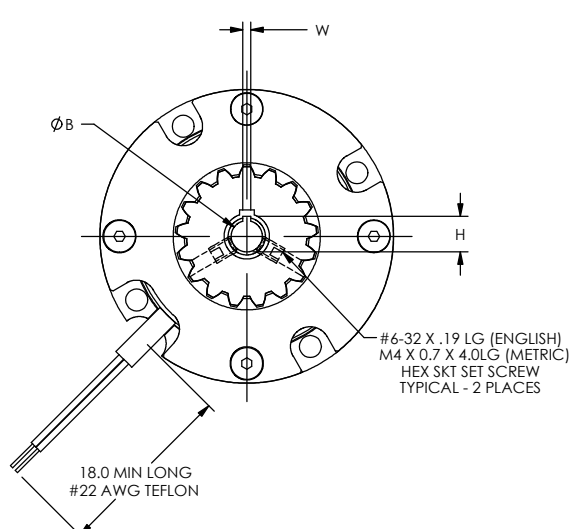
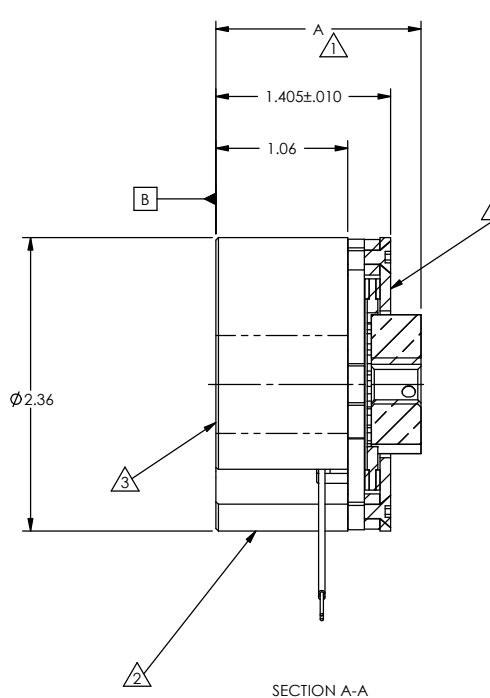
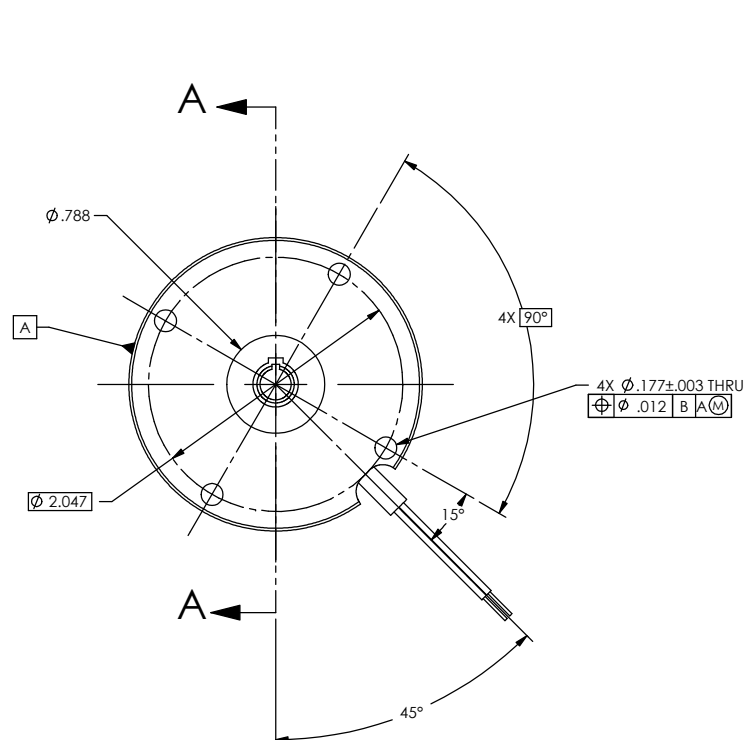


MODEL NUMBER	ØB	H	W	A	VOLTAGE	MODEL NUMBER	ØB	H	W	L	VOLTAGE
SB-23-24-E05S	.3125	.364	.0938	1.405 ±.010	24 VDC	SB-23-24-M08S	.3154	.3702	.1181	1.405 ±.010	24 VDC
SB-23-24-E06S	.3750	.425	.0938			SB-23-24-M10S	.3941	.4490	.1181		
SB-23-24-E08S	.5000	.564	.1250			SB-23-24-M12S	.4730	.5434	.1574		
SB-23-24-E10S	.6250	.709	.1880	1.65	24 VDC	SB-23-24-M16S	.6304	.7206	.1968	1.65	24 VDC
SB-23-24-E05L	.3125	.364	.0938			SB-23-24-M08L	.3154	.3702	.1181		
SB-23-24-E06L	.3750	.425	.0938			SB-23-24-M10L	.3941	.4490	.1181		
SB-23-24-E08L	.5000	.564	.1250	1.405 ±.010	90 VDC	SB-23-24-M12L	.4730	.5434	.1574	1.405 ±.010	90 VDC
SB-23-24-E10L	.6250	.709	.1880			SB-23-24-M16L	.6304	.7206	.1968		
SB-23-90-E05S	.3125	.364	.0938			SB-23-90-M08S	.3154	.3702	.1181		
SB-23-90-E06S	.3750	.425	.0938	1.405 ±.010	90 VDC	SB-23-90-M10S	.3941	.4490	.1181	1.405 ±.010	90 VDC
SB-23-90-E08S	.5000	.564	.1250			SB-23-90-M12S	.4730	.5434	.1574		
SB-23-90-E10S	.6250	.709	.1880			SB-23-90-M16S	.6304	.7206	.1968		
SB-23-90-E05L	.3125	.364	.0938	1.65	90 VDC	SB-23-90-M08L	.3154	.3702	.1181	1.65	90 VDC
SB-23-90-E06L	.3750	.425	.0938			SB-23-90-M10L	.3941	.4490	.1181		
SB-23-90-E08L	.5000	.564	.1250			SB-23-90-M12L	.4730	.5434	.1574		
SB-23-90-E10L	.6250	.709	.1880			SB-23-90-M16L	.6304	.7206	.1968		

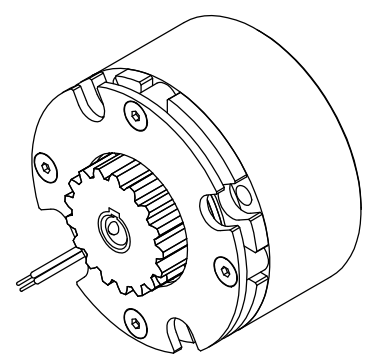
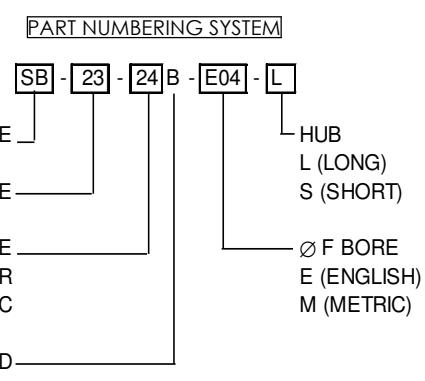
REVISIONS					
REV	ECO	DESCRIPTION	DATE	BY	CHECKED
-	-	NEW DRAWING			



ASSEMBLY AND ALL COMPONENTS MUST MEET EU DIRECTIVE 2002/95/EC (RoHS)

TECHNICAL DATA @ 25°C		
STATIC TORQUE (BURNISHED) MIN	35 LB-IN	
COIL DATA:	(24 V _{DC})	(90 V _{DC})
	VOLTAGE (V _{DC})	21.6 / 26.4 81.0 / 99.0
	RESISTANCE (OHMS)	46.5 ± 10% 700 ± 10%
	POWER (WATTS) MAX	(13.0 @ 24 V _{DC}) (12.0 @ 90 V _{DC})
CURRENT (mA) MAX	(.57 @ 24 V _{DC}) (.14 @ 90 V _{DC})	
PULL-IN VOLTAGE (V _{DC}) MAX	16	60
PULL-IN TIME (ms) MAX	70 @ 26.4V _{DC}	70 @ 100V _{DC}
DROP-OUT TIME (ms) MAX	20 @ 21.6V _{DC}	20 @ 80V _{DC}
DIELECTRIC STRENGTH	500 VAC - 60 HZ - 1 MIN	
INSULATION RESISTANCE	100 MEGOHMS MIN @ 500 VDC	
BRAKE ROTOR /HUB INERTIA (LB-IN-S ²)	(1.77e-05)	
BRAKE WEIGHT (LB)	(1.1)	

- NOTES:
- 1 DIMENSION INCLUDES NOMINAL .020 AXIAL HUB - ARMATURE CLEARANCE
 - 2 STANDARD LABEL PER MSI 000-0109, METHOD A, C, OR D, CLASS 4
 - 3 BRAKE CAN BE MOUNTED ON EITHER FACE.



<p>THIRD ANGLE PROJECTION</p>	<p>UNLESS OTHERWISE SPECIFIED: DIMENSIONS ARE IN INCHES. DIAMETERS CONCENTRIC .003 TIR. FACES PERPENDICULAR .003 INTERPRETATION PER ASME Y14.5M-1994.</p> <p>FRACTIONS ±1/64 DECIMALS .00 ±.01 ANGLES ±30'</p> <p>MACHINE SURFACES</p> <p>HEAT TREAT</p> <p>FINISH</p>	<p>PARTS LIST</p> <p>REMOVE ALL BURRS AND BREAK SHARP EDGES -.003/0.010 ALL INSIDE CORNERS TO BE .015 R MAX UNLESS OTHERWISE SPECIFIED.</p> <p>APPROVALS DATE</p>	<p>THOMSON DELTRAN</p> <p>BRAKE ASSEMBLY</p> <p>SIZE DWG. NO. SB-23 CATALOG</p> <p>SCALE 1:1 SHEET 1 OF 1 CODE IDENT: 58655</p>
		<p>DRAWN LMS 8-24-06</p> <p>CHECKED GCR 8-28-06</p> <p>DES ENG GCR 8-28-06</p> <p>MFG ENG</p> <p>QUAL ENG</p>	